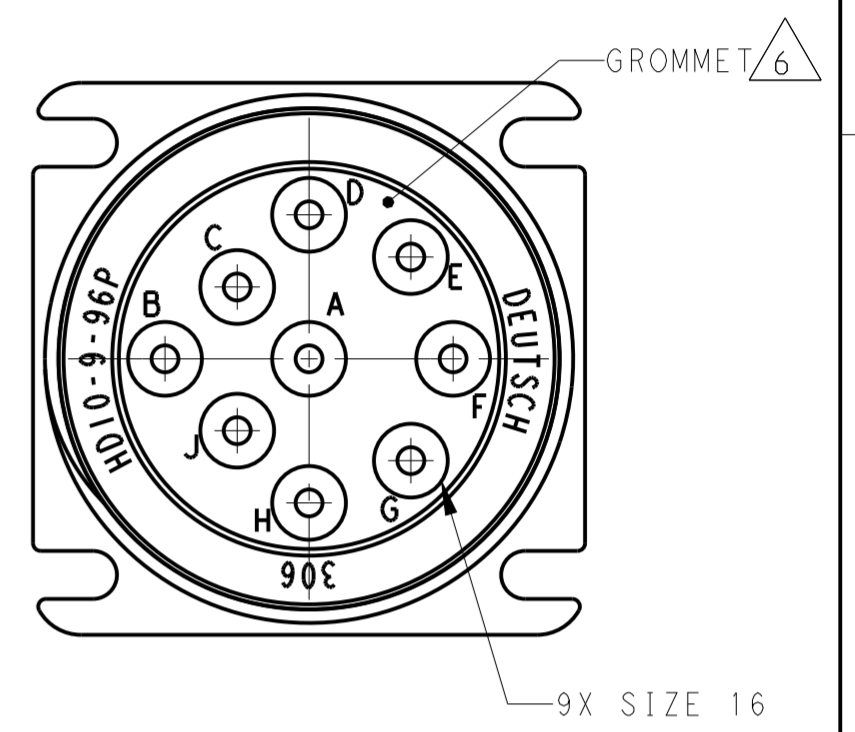
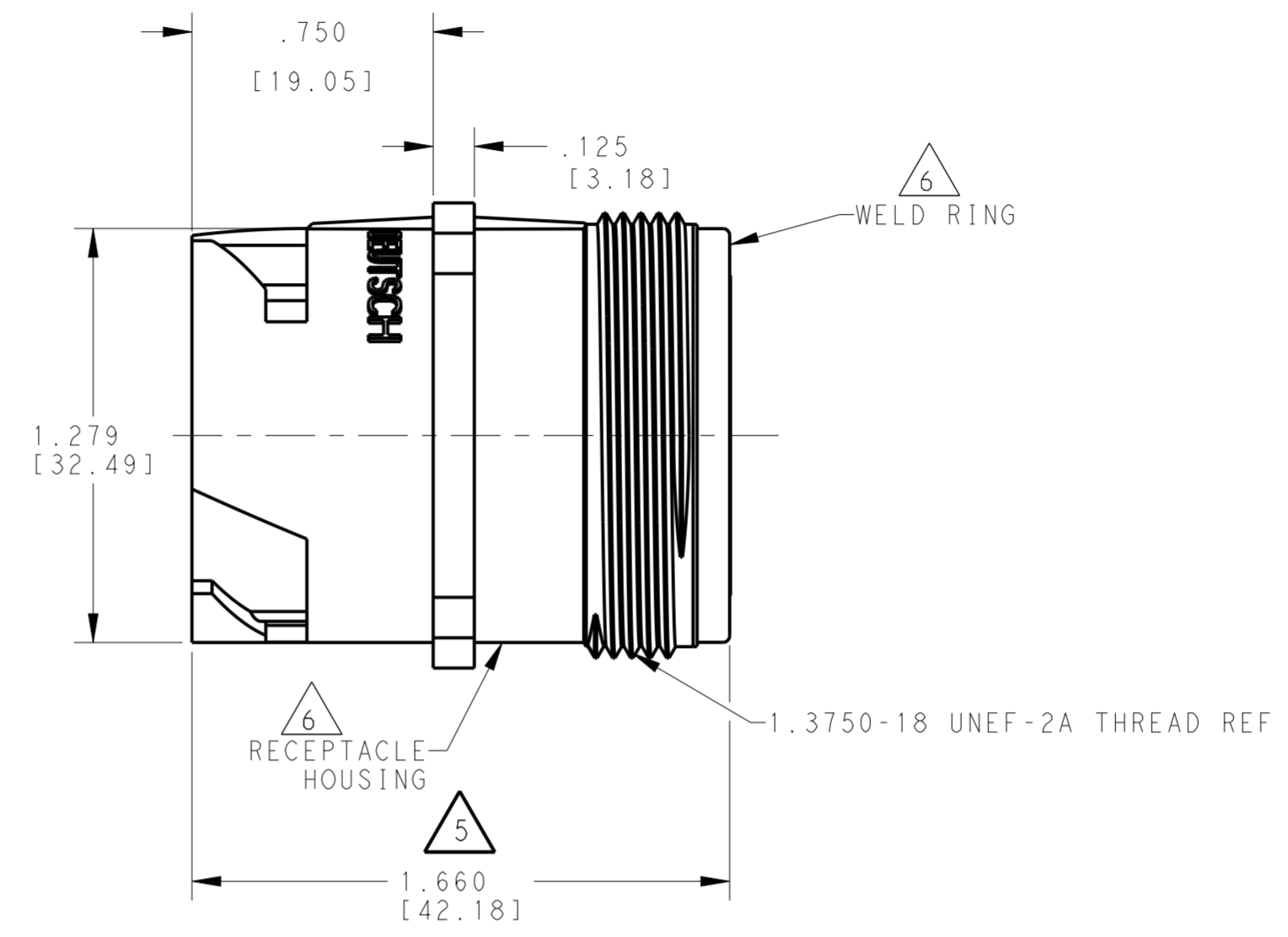
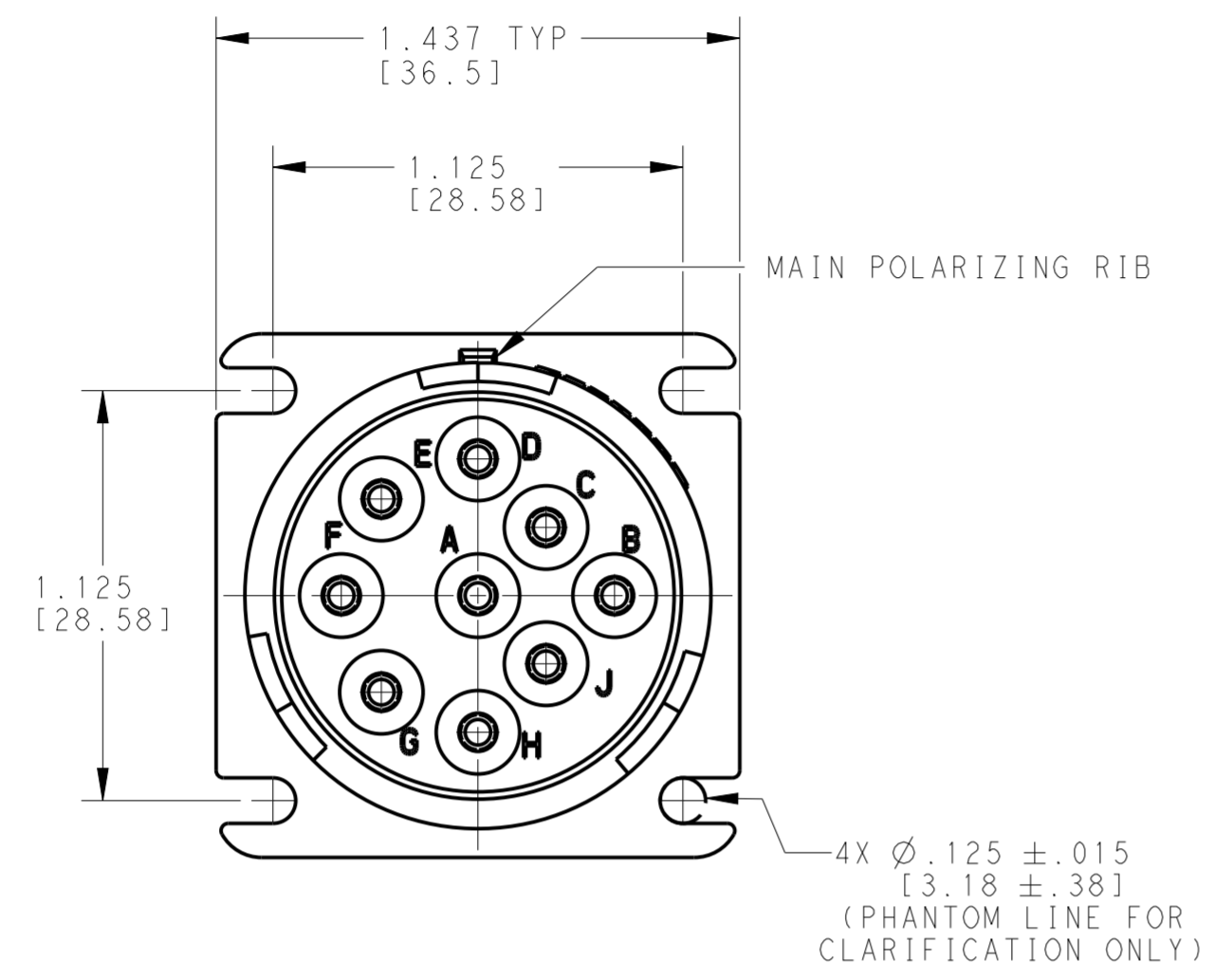


THIS DRAWING IS UNPUBLISHED  
 RELEASED FOR PUBLICATION 2013  
 © COPYRIGHT 2013 BY TE CONNECTIVITY. ALL RIGHTS RESERVED.

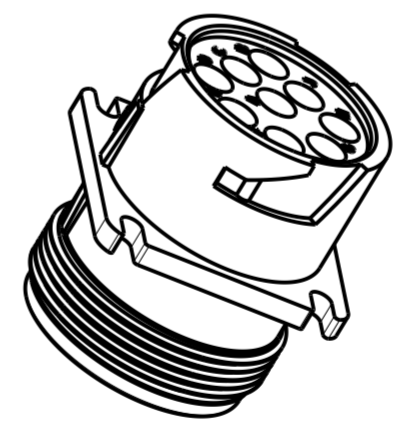
REVISIONS							
LOC	DIST	P	LTR	DESCRIPTION	DATE	DWN	APVD
-	-	F		REVISED PER E.O.P17743	27DEC2002	-	RDR
		G		REVISED PER E.O.P19306	18JUL2006	-	RDR
		H		REVISED PER E.O.P21366	4JUN2012	-	RDR
		H1		REVISED PER ECO-14-002953	29JAN2014	PV	DM



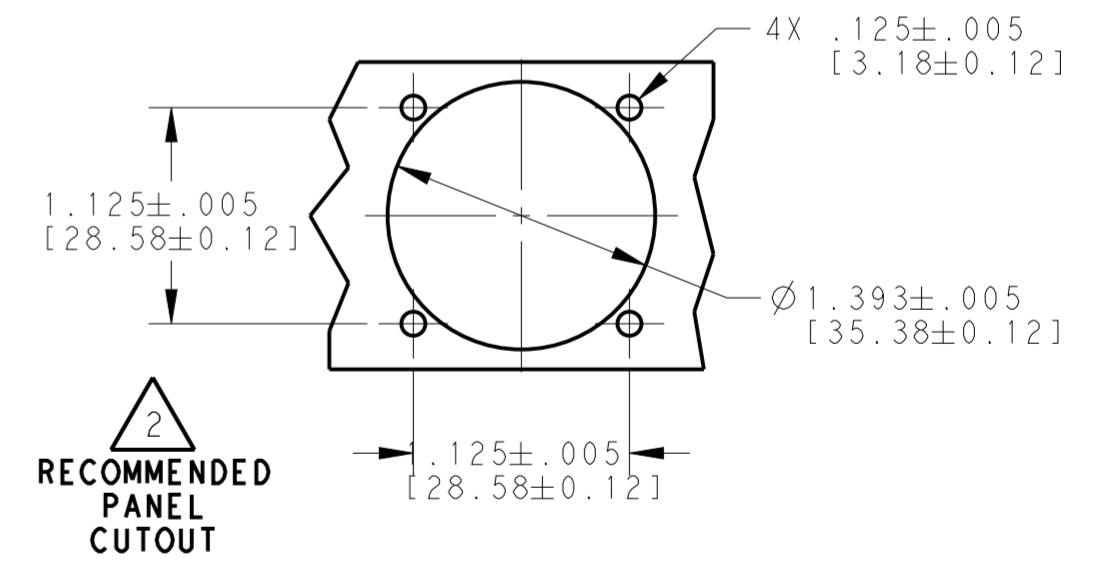
- 6 MATERIAL: RECEPTACLE HOUSING AND WELD RING: PA 15%GF (GREY)  
 GROMMET: SILICONE (RED)
- 5 OVERALL DIMENSION DOES NOT INCLUDE RUBBER GROMMET.
- 4 THIS RECEPTACLE MATES WITH FOLLOWING PLUG (X= SEAL TYPE, XXXX= ALL MODIFICATIONS).  
 HD16-9-96SX-XXXX
- 3 SEE DRAWING 0425-015-0000 FOR CONTACT AND WIRE PERFORMANCE AND APPLICATION CHARACTERISTICS.
- 2 MAXIMUM PANEL THICKNESS IS .250 [6.25].
- 1 SEE TABLE FOR USABLE WIRE RANGE AND INSULATION RANGE.

CONTACT SIZE	MINIMUM O.D.	MAXIMUM O.D.	WIRE RANGE [mm <sup>2</sup> ]
16	.100 [2.54]	.150 [3.81]	14-20 AWG [2.0-.50]

NOTES:



3-D VIEW



THIS DRAWING IS A CONTROLLED DOCUMENT.		DWN R. OCHOA 11AUG1998	TE Connectivity	
DIMENSIONS: [INCHES [mm]]		CHK I. GRANTCHAROVA 17SEP2013		
TOLERANCES UNLESS OTHERWISE SPECIFIED:		APVD D. MEYER 19SEP2013	NAME RECEPTACLE SQUARE FLANGE HD10 SERIES ARR. 9-96 COLOR: GREY	
0 PLC ±- 1 PLC ± 2 PLC ± 3 PLC ±.025 4 PLC ± ANGLES ±0° 30' 0" FINISH		PRODUCT SPEC -	SIZE A2	CAGE CODE 00779
MATERIAL 6		APPLICATION SPEC -	DRAWING NO HD10-9-96P	RESTRICTED TO -
		WEIGHT 35.91 (g)	SCALE 2:1	SHEET 1 OF 1
		Customer Drawing	REV H1	